

Des Moines

CITY CURRENTS



Volume 1, No. 2

July 1990



Waterland 1990: Goodwill - Good Times July 25-29

The Waterland Festival is quickly approaching with lots of fun planned for everyone!

To kick off the festivities, a luncheon will be catered by Le Bonaparte at the Des Moines Yacht Club on Wednesday, July 25th. Tickets are \$14.00 and are available at the Chamber of Commerce office (878-7000). Wednesday night the sky will light up with another fabulous fireworks show.

Everybody loves a parade and the Waterland Grand Parade starts at 6:00 p.m. on Saturday. Come early to get a good seat and watch the Children's Parade just prior to the main event.

The Little Miss and Mr. Des Moines Pageant will be held poolside at the Radisson Hotel from 7-9 p.m. on July 19th.

Again this year the Craft Fair will be located at the south end of the Marina on Friday, Saturday and Sunday.

Waterland 1990 sweatshirts, t-shirts and buttons are available for purchase around town for those who would like to help support this outstanding community event.

A great line up of performers will entertain festival-goers this year and the beer garden will be open for those over 21 years of age. Back by popular demand is the car show which will be emceed by a "50's" disc jockey. As always, there will be lots of food and exciting rides for the more adventurous.

We'll see you there!

Des Moines Beach Park Improvements

This spring and summer will bring several more improvements to Des Moines Beach Park. Most visibly a tot lot play area with swings and slides will be installed at the east end of the meadow. In addition, all of the gravel paths will be paved for easier access and walking. One of the two buildings adjacent to the entry road will be demolished, with the other one being retained for a future caretaker's lodge.

Another major project planned for September is the replacement of the old wooden vehicle bridge east of the cafeteria with a new and safer structure. Other less visible improvements planned are the

installation of restrooms in the cafeteria building, "moth-balling" preservation of some of the currently unused buildings, roofing repair to the cafeteria, and extension of underground electrical services.

Improvements planned for 1991 include converting the storage building back into an open sided picnic shelter, automated irrigation systems, and parking area lighting.

The Beach Park will be fully usable this summer, with these continuing improvements making the park more fun, accessible, and efficient.

DES MOINES DIRECTORY

City Hall, 21630 11th Ave. So., 878-4595
Business Hours: Monday - Friday
8:00 a.m. to 4:30 p.m.

City Council - 878-4595

- Frank Jovanovich, Mayor
Bob Wray, Mayor Pro Tem
Audrey Bowers
Richard Kennedy
Carmen Scott
Scott Thomasson
Don Wasson

Administration - 878-4595

- Greg Prothman, City Manager
Bob Olander, Assistant City Manager
James Gorham, City Attorney
Betty Hayes, Finance Director
Denis Staab, City Clerk

Planning/Engineering/Parks/Public Works - 878-8626

- Eric Shields, Planning Director
Dale Schroeder, City Engineer
Jim Sempek, Building Official
Frank Olson, Supt. of Public Works
Jon Jainga, Parks Supervisor

Police Department

878-3301 Business - 911 Emergency
Martin Pratt, Chief

Fire District No. 26

878-2210 Business - 911 Emergency
Bob Arnold, Chief

Des Moines Senior Center - 878-1642

Karen Marshall, Supervisor

Des Moines Marina - 824-5700

Jesse Cadena, Harbormaster

Des Moines Library - 824-6066

Mike McNamara, Librarian

Look for the next issue of
Des Moines City Currents
in October.



Printed on Recycled Paper

Council Adopts
Downtown Traffic Plan

Major improvements to downtown Des Moines streets are only a year or two away with the recent adoption by the City Council of a plan for improving downtown traffic. The adopted plan calls for widening the fill at the north end of town and adding an additional southbound lane. Southbound traffic will then have the option of continuing south on Marine View Drive or swinging west on a new connection to 7th Ave. Both 7th Avenue and Marine View Drive will feature bicycle lanes. Traffic signalization will control traffic speed while creating more breaks for east-west traffic at So. 223rd and So. 227th Streets.

Marine View Drive would be repaved with its current configuration of one north lane, one south lane, and one center turn lane. In addition, Marine

View Drive, 7th Ave. So. and the connecting streets would all be improved with curbs, gutters, sidewalks, landscaping, benches, new street lights and other amenities.

The State has already committed about \$1.9 million toward the project, with another two to three million preliminarily authorized. It is anticipated that the City's local share will come from project reserves, a low interest State loan, and gas tax revenues.

The City Council will be considering the funding plans for this project in late June and early July. If the total funding package can be tied together, engineering could begin in the fall of this year with some construction elements beginning in 1991.

Summer Fun at the Library

"Summer Safari" is the theme for the Des Moines Library's Summer Reading Club for area youngsters. Over 500 children joined in 1989 to participate in books, stories, games and crafts. A different safari is planned for every Tuesday through August 7th.

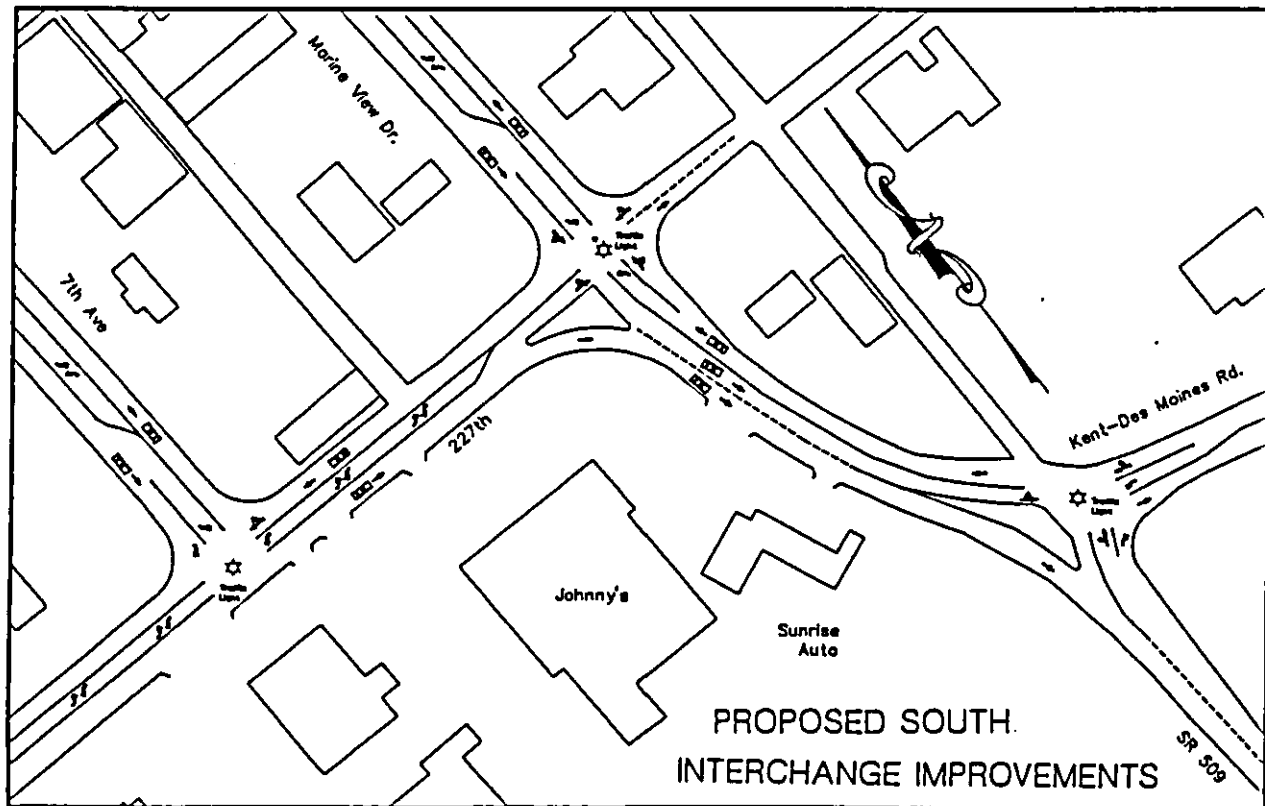
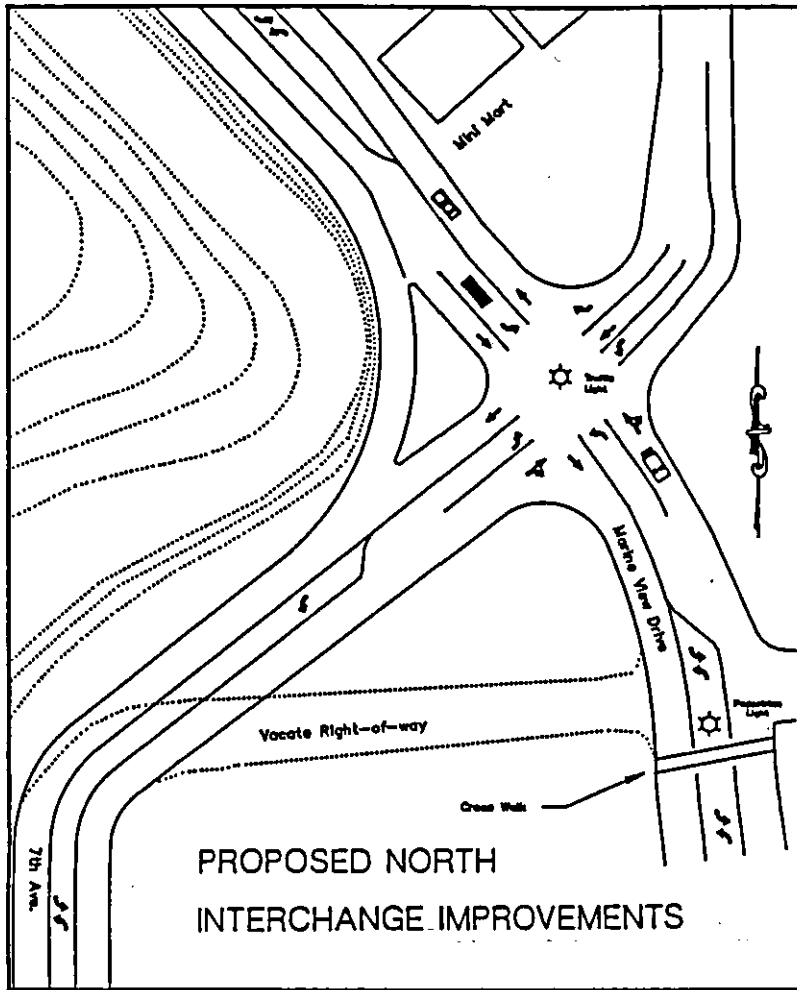
Summer feature films for the entire family will include: "Honey, I Shrunk the Kids" on July 11th at 2:00 p.m. and "Barbar, the Movie" on August 30th at 2:00 p.m.

Preschool Storytime for 3-1/2 to 6 year olds will run Wednesdays at 11:00 a.m. through July 25th or Thursdays at 11:00 a.m.

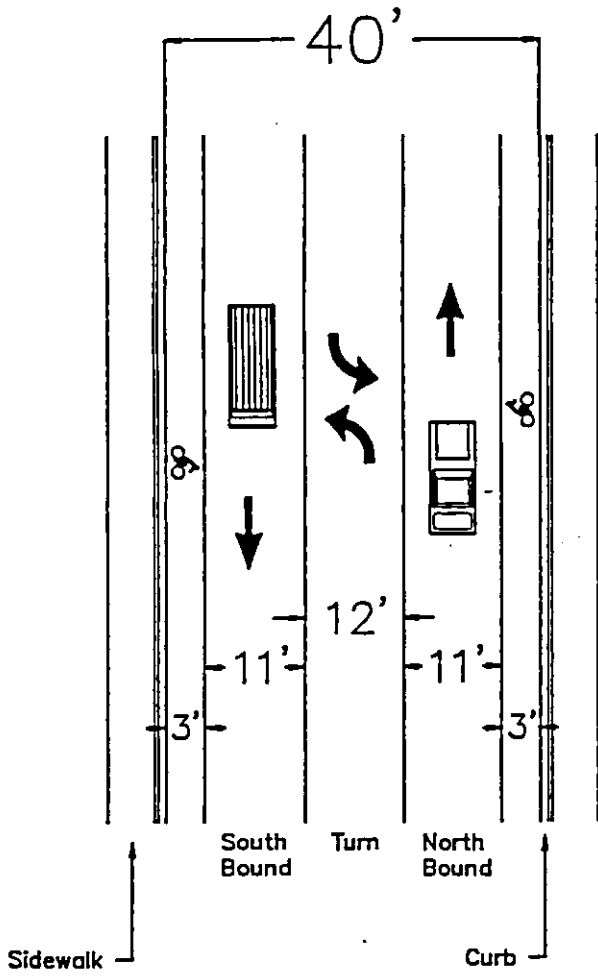
through July 26th. Toddler and Parent Storytime will be featured on Wednesdays at 11:40 a.m. through July 25th.

Two renowned puppet shows will be sponsored by the Library League: Carter Family Marionettes perform "Jacob Two-Two Meets the Hooded Fang" on Friday, June 22nd at 2:00 p.m. and Seattle Puppetory Theatre performs their show on June 27th at 3:00 p.m. This program will be signed for the hearing impaired.

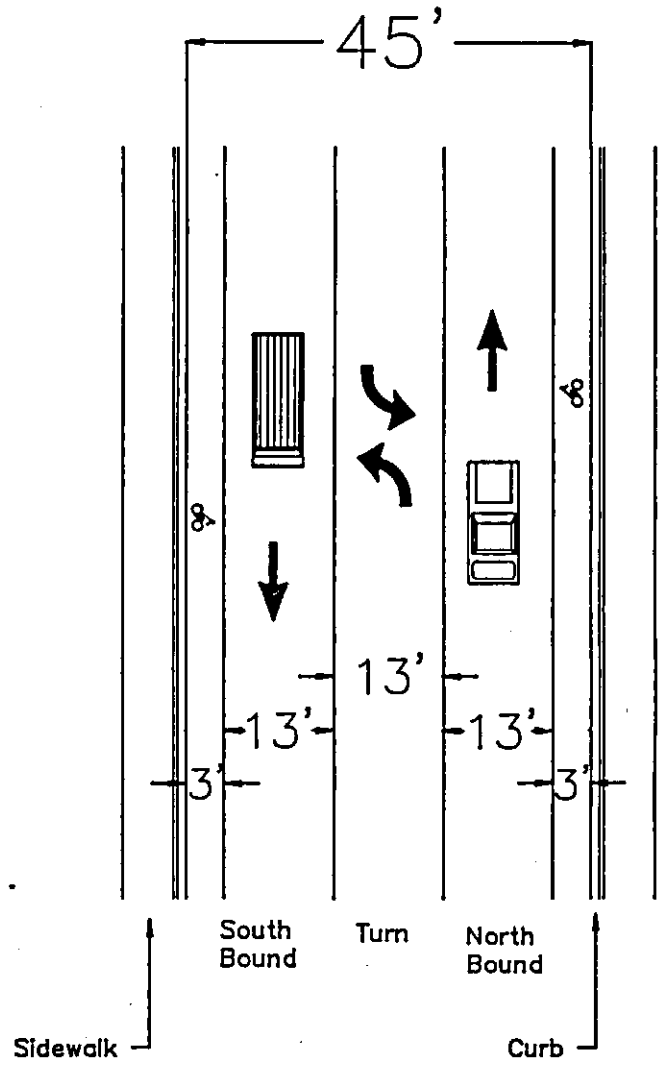
Please call the Des Moines Library at 824-6066 for further information.



PROPOSED LANE CONFIGURATIONS



MARINE VIEW DRIVE



7TH AVENUE SOUTH

How Would You Improve Des Moines?

Public Opinion Poll Results

The results are in on the residential and commercial community survey mailed out in February. Over 2,400 surveys were mailed, with an excellent return rate of over 30%. Here is how residents responded to some of the questions.

*"If you were in a position to change any aspect of the Des Moines area, what would you do?"
(Results listed by number of times an item was mentioned.)*

- | | |
|---|---|
| 1. Improve traffic congestion and general road conditions. | 4. Develop, acquire, maintain open space areas. |
| 2. Maintain the single family character of Des Moines and don't add more multi-family apartments. | 5. Reduce airport noise and increase police protection. |
| 3. Improve the appearance of downtown and encourage small business development. | 6. Extend SR509 in some fashion to alleviate downtown traffic congestion. |
| | 7. Improve the appearance and accessibility of the waterfront area. |

"Which of the recreation facilities listed below are the five most important to you?"

<u>Residential Survey</u>			<u>Commercial Survey</u>		
	<u>Facility</u>	<u>Responses</u>		<u>Facility</u>	<u>Responses</u>
1.	Beach access	391		Beach access	66
2.	Walking trails	278		Marina	57
3.	Neighborhood parks	258		Neighborhood parks	39
4.	Marina	240		Walking trails	39
5.	Fishing pier	187		Fishing pier	31
6.	Senior Center	181		Community Center	28
7.	Picnic areas	177		Teen Center	28
8.	Community Center	152		Senior Center	26
9.	Swimming pool	129		Picnic areas	23
10.	Teen Center	125		Bicycle trails	22

"Please rate the following services and facilities in the Des Moines area."

In response to this question, residents gave library, police, and fire services highest approval ratings with storm drainage, land use planning and recycling rated as lowest.

"Should the City of Des Moines develop a senior/civic center?"

A majority of residential survey respondents favored the development of a senior citizen/civic center (58%), however, a smaller percentage responded that they would be willing to financially support such a development (45%). Of the commercial survey respondents, 48% favored the development of a senior citizen/civic center, however, a smaller percentage responded that they would be willing to financially support such a development (34%).

"In general, how do you feel the Des Moines city government is doing in meeting your needs?"

	<u>Exc.</u>	<u>Good</u>	<u>Fair</u>	<u>Poor</u>	<u>No Opinion</u>
Residential	2%	42%	32%	7%	17%
Commercial	1%	27%	33%	27%	13%

The survey was designed both to measure satisfaction with City services and to provide input for development of the new Comprehensive Plan. The City hopes to conduct periodic surveys in the future to provide the City Council and staff with feedback on community projects and service improvements. We are listening!

City of Des Moines
21630 - 11th Avenue South
Des Moines, Washington 98198


BULK RATE
U.S. POSTAGE
PAID
SEATTLE, WA
PERMIT NO. 1123

CITY CURRENTS

Des Moines

FREE . . . CONCERTS IN THE PARK

The City of Des Moines and the King County Arts Commission are proud to present the Summer of 1990 Free Concerts in the Park series. Enjoy the performances of some of the finest musical talent in the area. Bring yourself. Bring your family. Bring a friend. It's fun and its free!

July 29th 
ROADSIDE ATTRACTION

The 18 members of the group play big band music with sounds from Duke Ellington, Count Basie, Woody Herman and more. This will be part of the Waterland festivities.

3:00 to 4:30 p.m. at the **King County Fieldhouse**
10th So. and So. 220th

August 19th
BABY GRAMPS

He captivates crowds with his 1920's steel bodied guitar, raucous humor and seasoned showmanship. His repertoire covers ragtime and blues, vintage jazz, show tunes, vaudeville and novelty songs.

2:00 to 3:30 p.m. at the **Des Moines Beach Park**
22030 Cliff Avenue (just north of the fishing pier)

September 16th
GINNY REILLY

Formerly of Reilly and Maloney, Ginny sings contemporary ballads to 1950's nostalgia, show tunes and country western; from folk to blues and original songs.

2:00 to 3:30 p.m. at the **Des Moines Beach Park**

All concerts are handicapped accessible. In the event of rain, Des Moines Beach Park events will be cancelled.

For further information call Karen Marshall at 878-1642.